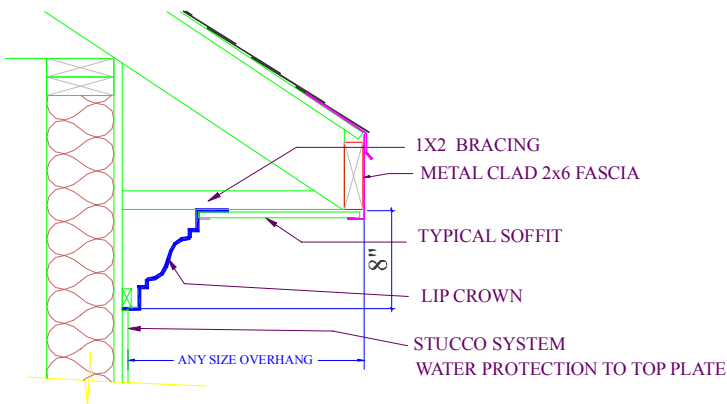
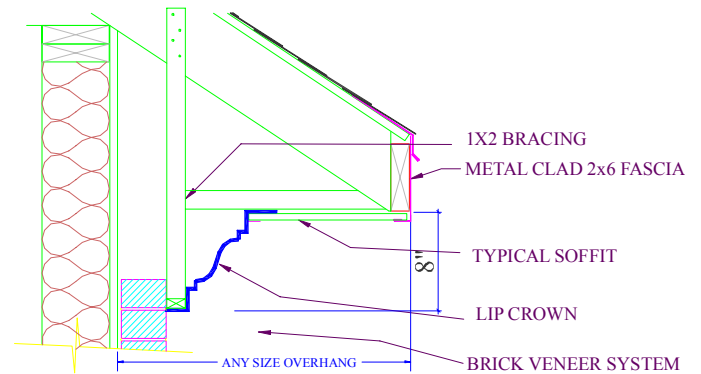


STONE



STUCCO



BRICK

Traditional Crown System is for all sizes of overhangs. Cornice molding is installed on the wall and Soffit material makes up the overhang length distance from the cornice detail to the fascia board.



-Since 1995-

[www Exteriors by Elite com](http://www.ExteriorsbyElite.com)

Traditional Crown System

Utah P.O. Box 900877 Sandy, UT 84090
(801) 733-4000 Fax (801) 733-4001

Colorado P.O. Box 33733 Denver, Co. 80233
(303) 957-4000 Fax (303) 287-9600

Toll Free (800) 601-1666

