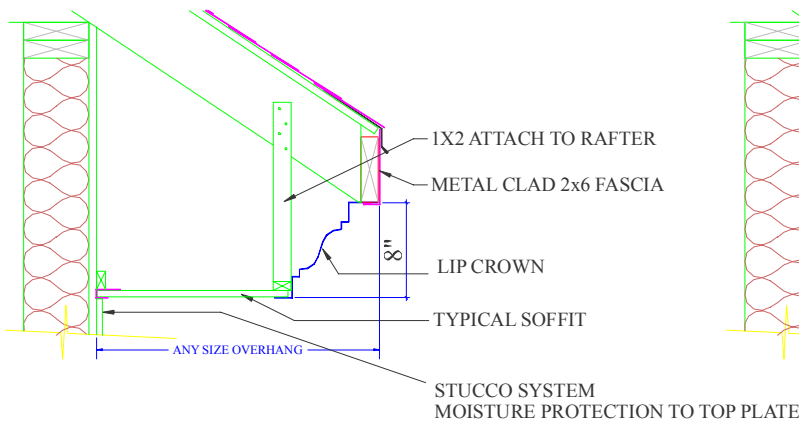
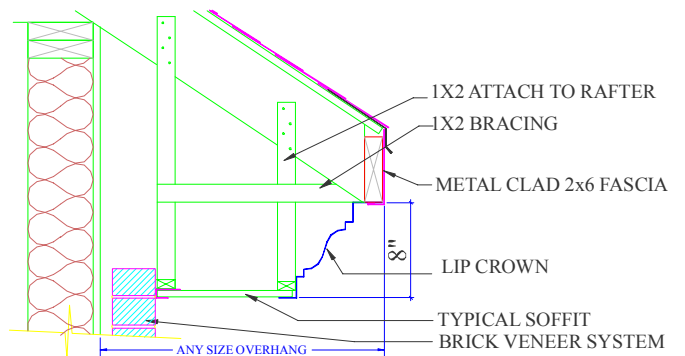


**STONE**



**STUCCO**



**BRICK**

**Premier Crown System** is for all sizes of overhangs. Soffit material is installed on the bottom side of the cornice moldings to make up the difference in overhangs.



-Since 1995-

[www Exteriors by Elite.com](http://www.Exteriors by Elite.com)

## Premier Crown System

**Utah** P.O. Box 900877 Sandy, UT 84090  
(801) 733-4000 Fax (801) 733-4001

**Colorado** P.O. Box 33733 Denver, Co. 80233  
(303) 957-4000 Fax (303) 287-9600

Toll Free (800) 601-1666

